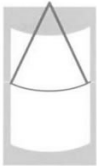


HEPWORTH MARINE 20Nm MEDIUM DUTY WIPER MOTOR



The 20Nm is a compact medium duty unit, aimed at the small boat market, where efficient clearing of windows is essential.



Pantograph

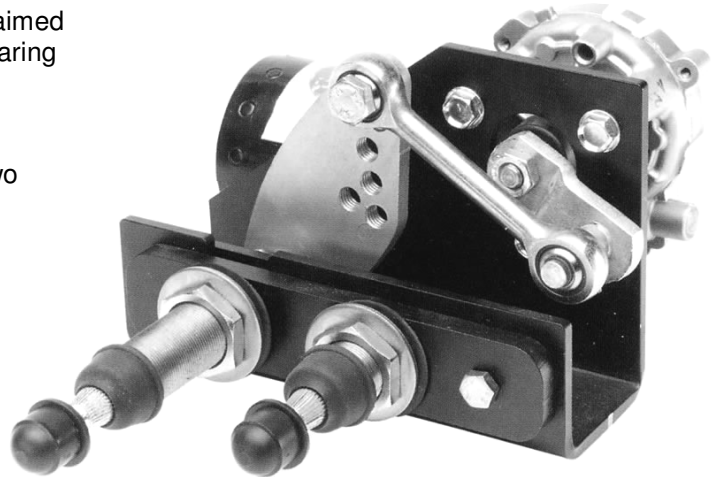
Supplied as a variable arc model, 12 & 24 volt DC. The standard motor has two speeds and self parking facility



Pendulum

Insulated earth return & EMC filter are std

Pantograph and pendulum arm up to 28 ins. (710mm)
Blades up to 24 ins. (600mm)

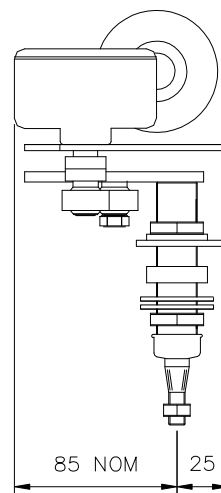
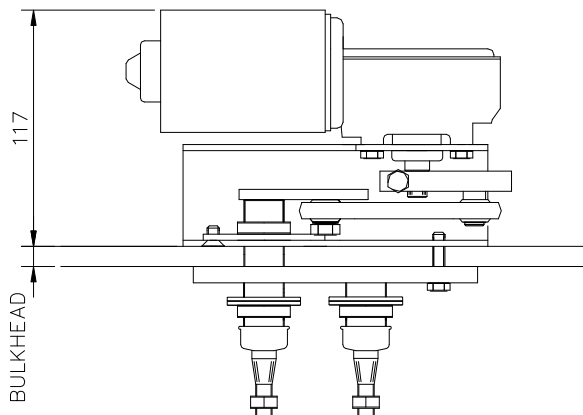
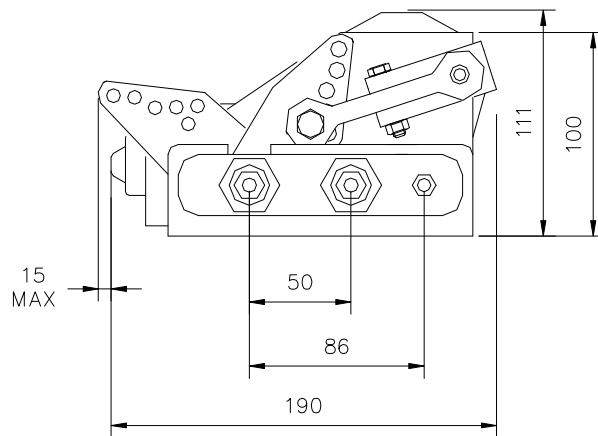


Pantograph Arms

Pendulum Arms

Blades

P613 Lengths Blade Clip	Medium Duty 12" to 28" (310mm to 710mm) 14mm	F63 Lengths Blade Clip	Medium Duty 12" to 28" (310mm to 710mm) 14mm	B140 Lengths Blade Clip	Curved Blade 12" to 24" (300mm to 600mm) 14mm
-------------------------------	--	------------------------------	--	-------------------------------	---



Specifications

Unit type	20Nm
Voltage	12 & 24
Standard Details	2 Speed, Self parking, Insulated Earth Return
Angles of Arc	Variable at stated angles
Pantograph Units	45, 50, 60, 70, 80, 90
Pendulum Units	45, 50, 60, 70, 80, 90
Spindle Centres	Between drive & idler 50mm
Drive liner	M20 SS Liner / 12mm Spindle
Bulkhead thickness	Suit up to 30mm, 60mm Pendulum 22mm, 52mm Pantograph Longer available on special order
Idler liner	M20 SS Liner / 12mm Spindle
Unit Weight	At maximum arm & blade Lengths; 3.5 Kgs (7.7 lbs)